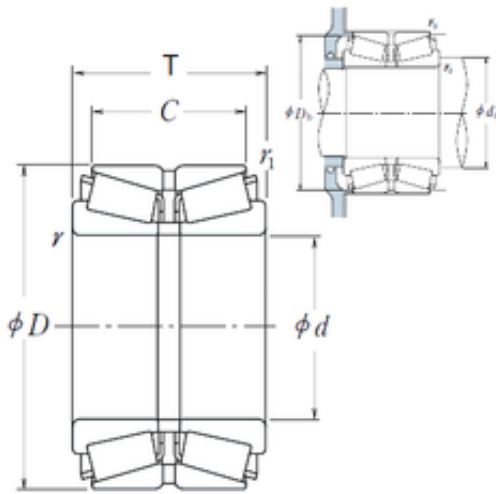




BEARING DRIVESHAFT, INC.



190KBE30+L NSK Tapered roller bearing

Bearing No. 190KBE30+L

190KBE30+L Bearing 2D drawings and 3D CAD models

Size	190x290x75 mm
Bore Diameter	190 mm
Outer Diameter	290 mm
Width	75 mm
d	190 mm
D	290 mm
T	75 mm
C	67 mm
r min.	3 mm
r1 min.	1 mm
da min.	208 mm
Db min.	279 mm
ra max.	2,5 mm
rb max.	1 mm
Weight	16,2 Kg
Basic dynamic load rating (C)	490 kN
Basic static load rating (C0)	845 kN
(Grease) Lubrication Speed	900 r/min
(Oil) Lubrication Speed	1200 r/min
Calculation factor (e)	0,39
Calculation factor (Y0)	1,7
Calculation factor (Y2)	2,6