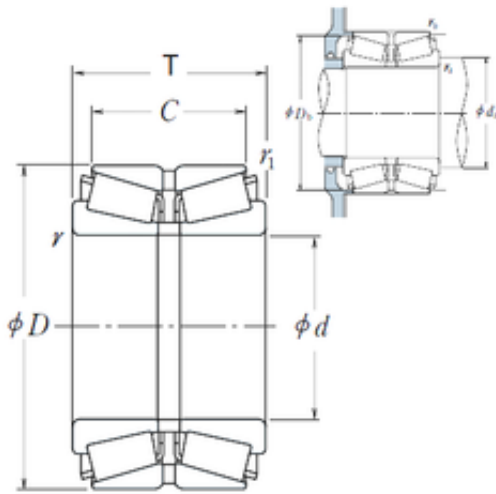




BEARING DRIVESHAFT, INC.



200KBE3301+L NSK Tapered roller bearing

Bearing No. 200KBE3301+L

200KBE3301+L Bearing 2D drawings and 3D CAD models

Size	200x330x180 mm
Bore Diameter	200 mm
Outer Diameter	330 mm
Width	180 mm
d	200 mm
D	330 mm
T	180 mm
C	140 mm
r min.	5 mm
r1 min.	1,5 mm
da min.	227 mm
Db min.	316 mm
ra max.	4 mm
rb max.	1,5 mm
Weight	54,4 Kg
Basic dynamic load rating (C)	1390 kN
Basic static load rating (C0)	2730 kN
(Grease) Lubrication Speed	800 r/min
(Oil) Lubrication Speed	1100 r/min
Calculation factor (e)	0,42
Calculation factor (Y0)	1,6
Calculation factor (Y2)	2,4