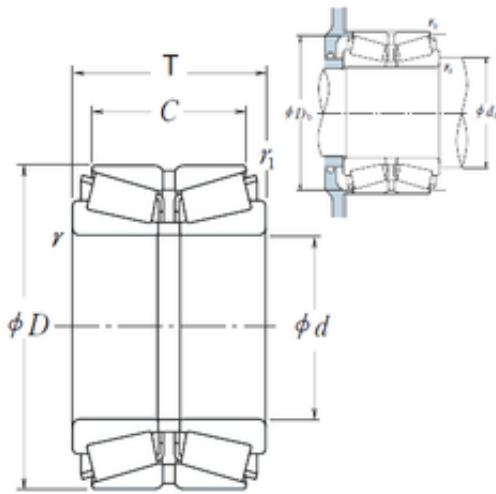




BEARING DRIVESHAFT, INC.



200KBE42+L NSK Tapered roller bearing

Bearing No. 200KBE42+L

Size	200x360x142 mm
Bore Diameter	200 mm
Outer Diameter	360 mm
Width	142 mm
d	200 mm
D	360 mm
T	142 mm
C	110 mm
r min.	5 mm
r1 min.	1,5 mm
da min.	227 mm
Db min.	338 mm
ra max.	4 mm
rb max.	1,5 mm
Weight	52,6 Kg
Basic dynamic load rating (C)	1100 kN
Basic static load rating (C0)	1780 kN
(Grease) Lubrication Speed	700 r/min
(Oil) Lubrication Speed	1000 r/min
Calculation factor (e)	0,4
Calculation factor (Y0)	1,6
Calculation factor (Y2)	2,5

200KBE42+L Bearing 2D drawings and 3D CAD models