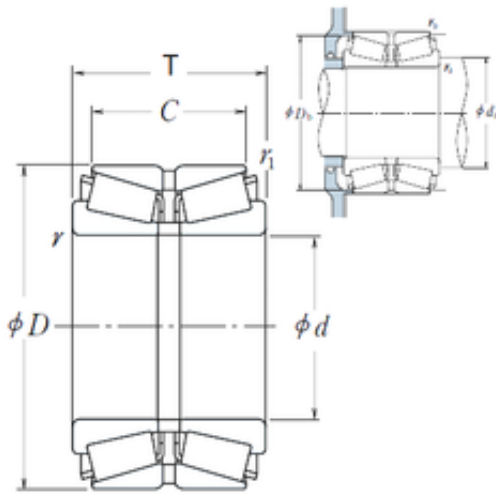




BEARING DRIVESHAFT, INC.

HR200KBE52+L NSK Tapered roller bearing



Bearing No. HR200KBE52+L

Size	200x360x218 mm
Bore Diameter	200 mm
Outer Diameter	360 mm
Width	218 mm
d	200 mm
D	360 mm
T	218 mm
C	174 mm
r min.	5 mm
r1 min.	1,5 mm
da min.	227 mm
Db min.	344 mm
ra max.	4 mm
rb max.	1,5 mm
Weight	88,3 Kg
Basic dynamic load rating (C)	2070 kN
Basic static load rating (C0)	3850 kN
(Grease) Lubrication Speed	800 r/min
(Oil) Lubrication Speed	1000 r/min
Calculation factor (e)	0,41
Calculation factor (Y0)	1,6
Calculation factor (Y2)	2,5

HR200KBE52+L Bearing 2D drawings and 3D CAD models